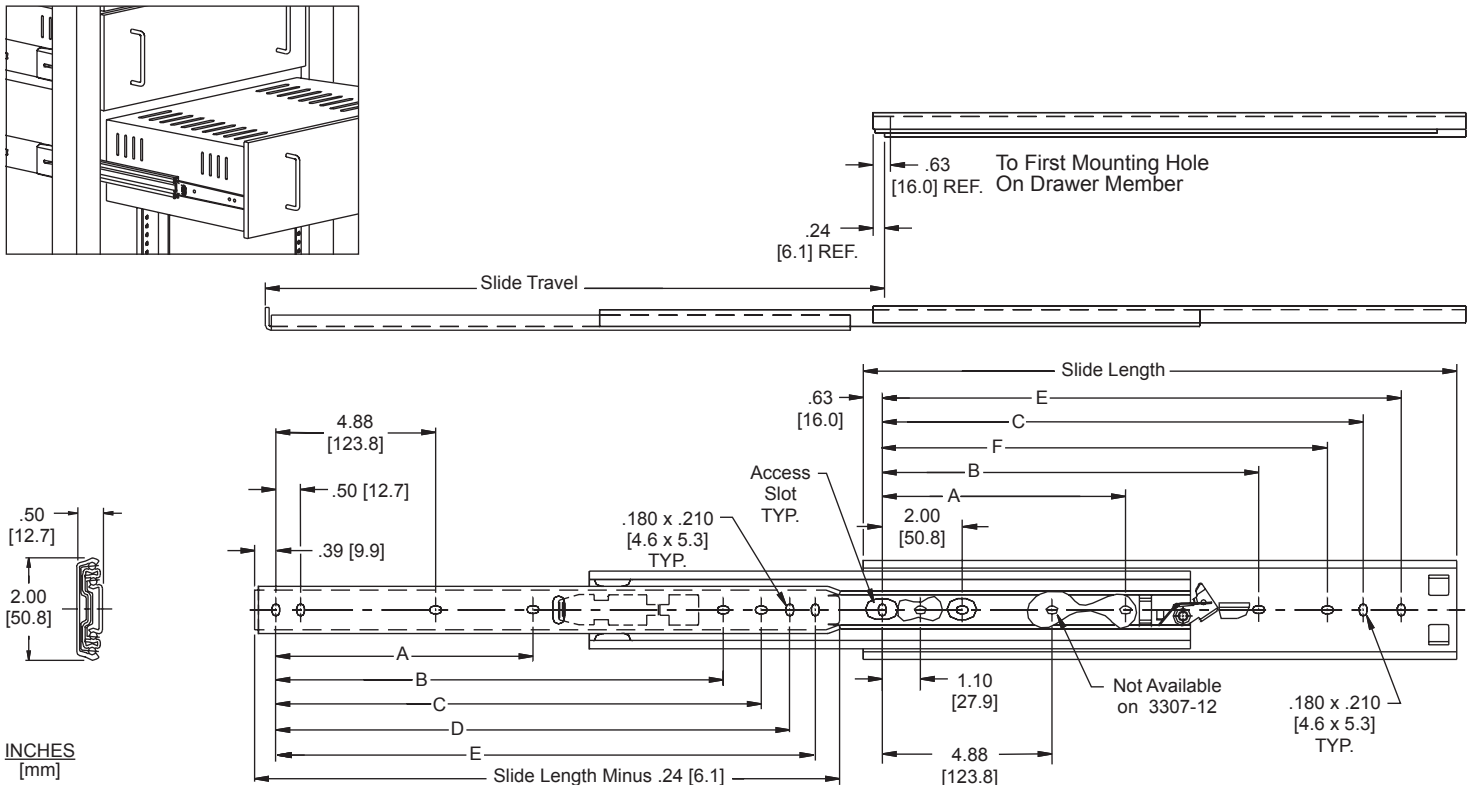


APPLICATIONS: EIA rack mount chassis, power supply, disc/tape drive, industrial work stations, dispensing and medical equipment. Use model 3307 whenever a medium duty, over travel slide with positive lock-out is required.

Lock-Out with Front Disconnect
Over Travel, Medium Duty Slide
Up to 150 lb.* [68 kg.] Capacity



- Finish** Bright electro-zinc (C) plating only
- Length** 12"–30" [305 mm–762 mm]
- Height** 2.00" [50.8 mm]
- Load** See Chart*
- Side Space** .50" +.015/-.000 [12.7 mm +0.4/-0.0]
- Travel** Slide length plus 1.00" [25.4 mm]

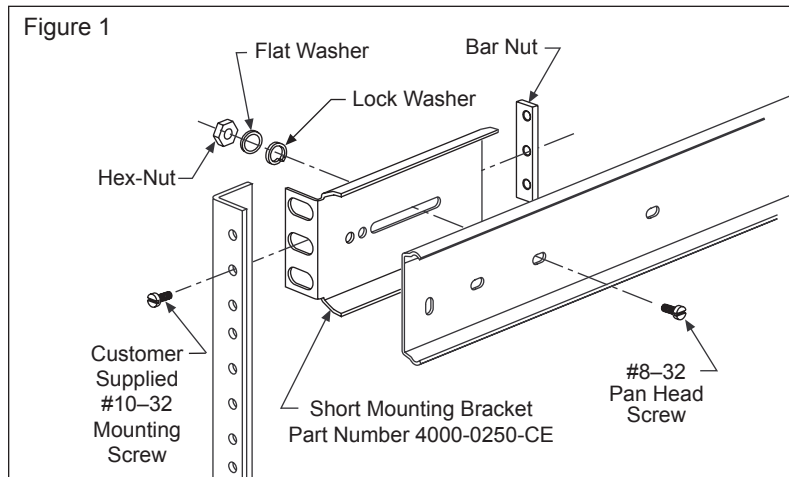
- Mounting** Bracket or hard mounting
- Hardware** #8 pan head screws
- Disconnect** Front disconnect lever
- Features** Lock-out holds chassis fully open. Lead-in pins guide chassis during reinsertion.

Part Number	Slide Length	Slide Travel	Load Rating lbs [kg] per pair	A	B	C	D	E	F
3307-12	12.00 [305]	13.00 [330]	150 [68]			9.25 [235.0]	9.75 [247.7]	10.25 [260.4]	8.25 [209.6]
3307-14	14.00 [356]	15.00 [381]	148 [67]			11.25 [285.8]	11.75 [298.5]	12.25 [311.2]	10.25 [260.4]
3307-16	16.00 [406]	17.00 [432]	147 [67]			13.25 [336.6]	13.75 [349.3]	14.25 [362.0]	12.25 [311.2]
3307-18	18.00 [457]	19.00 [483]	146 [66]	7.00 [177.8]	12.38 [314.3]	15.25 [387.4]	15.75 [400.1]	16.25 [412.8]	14.25 [362.0]
3307-20	20.00 [508]	21.00 [533]	145 [66]	8.00 [203.2]	14.38 [365.1]	17.25 [438.2]	17.75 [450.9]	18.25 [463.6]	16.25 [412.8]
3307-22	22.00 [559]	23.00 [584]	140 [64]	9.00 [228.6]	16.38 [415.9]	19.25 [489.0]	19.75 [501.7]	20.25 [514.4]	18.25 [463.6]
3307-24	24.00 [610]	25.00 [635]	135 [61]	10.00 [254.0]	18.38 [466.7]	21.25 [539.8]	21.75 [552.5]	22.25 [565.2]	20.25 [514.4]
3307-26	26.00 [660]	27.00 [686]	127 [58]	11.00 [279.4]	20.38 [517.5]	23.25 [590.6]	23.75 [603.3]	24.25 [616.0]	22.25 [565.2]
3307-28	28.00 [711]	29.00 [737]	120 [54]	12.00 [304.8]	22.38 [568.3]	25.25 [641.4]	25.75 [654.1]	26.25 [666.8]	24.25 [616.0]
3307-30	30.00 [762]	31.00 [787]	112 [51]	13.00 [330.2]	24.38 [619.3]	27.25 [692.2]	27.75 [704.9]	28.25 [717.6]	26.25 [666.8]

* Load rating based on an 16" wide chassis cycled 10,000 times.

Instructions to Bracket Mount

1. To ensure proper operation of the slides, make certain that all bracket mounting screws (#8-32) are inserted so the screw heads are inside the slides. (No washers on the inside of the slides.)
2. Separate slide members by depressing the disconnect lever.
3. Using mounting kits and brackets, mount brackets to slide outer members (largest). For adjustment purposes, screw the back brackets on loosely.
4. Install slides into EIA rack with #10-32 screws (customer supplied) and secure with bar nuts. Rear adjustment is possible by aligning the back brackets. Do not tighten screws until final adjustment is made.
5. Mount slide chassis member (smallest) to the chassis. Position slides 1/4" from the front edge of the chassis making sure both slides are parallel.
6. With cabinet members in the closed position and ball retainers fully forward, install chassis by engaging the slide members and close completely. Check slide alignment by opening and closing the chassis. Any sign of binding indicates lateral stress or misalignment.
7. Adjust slide position until movement is smooth. Tighten all screws and if necessary, use more screws to secure slides and complete installation.



Instructions to Hard Mount

1. To ensure proper operation of the slide, make certain that all mounting screws (#8-32) are inserted so the screw heads are inside the slides. (No washers on the inside of the slides.)
2. Separate slide members by depressing the disconnect lever.
3. With slides fully extended, install slide cabinet members (largest) into the cabinet using #8 pan head screws. Ensure slides are parallel.
4. Mount slide drawer members (smallest) to the chassis. Leave all screws loose for future adjustment. Ensure slides are parallel.
5. With cabinet members in the closed position and ball retainers fully forward, install chassis by engaging the slide members and close completely. Check slide alignment by opening and closing the chassis. Any sign of binding indicates lateral stress or misalignment.
6. Adjust slide position until movement is smooth. Tighten all screws and if necessary, use more screws to secure slides and complete installation.

Complete your slide order for model 3307 by specifying the following:

10 Pair C 3307 -18 D

Total Slides Required _____

Slide Finish _____

Slide Model _____

Slide Length _____

Optional Polybag Packaging _____

Optional Hardware Kits-Ordered Separately

Order 1 bracket mounting kit, part number 4180-0219-XE, for each pair of slides ordered. Each kit contains 4 short mounting brackets and mounting hardware. Hardware kit includes screws, hex-nuts, washers, and bar nuts.

10 Each 4180-0219-XE

Total Kits Required _____

Kit Part Number _____

Packaging

Distributor (D) Pack: Polybag contains one pair of slides and one slide mounting hardware kit. Brackets ordered separately.

Lengths 12"-20"	10 pair per box
Lengths 22"-30"	5 pair per box

Bulk (P) Pack: Slides and optional mounting bracket kit are ordered and packaged separately.

Lengths 12"-20"	10 pair per box
Length 22"	9 pair per box
Lengths 24"-30"	7 pair per box

Specifications

Slide members and ball retainers: Cold rolled steel
 Ball bearings: Carburized steel

NOTE: Specifications, materials, prices, terms, and delivery are subject to change without notice.



ACCURIDE INTERNATIONAL INC.

12311 Shoemaker Avenue
 Santa Fe Springs, CA 90670
 TEL (562) 903-0200
 FAX (562) 903-0208
 www accuride.com

Manufacturing, Engineering, and Sales
 United States • Germany • Japan • Mexico • United Kingdom • China