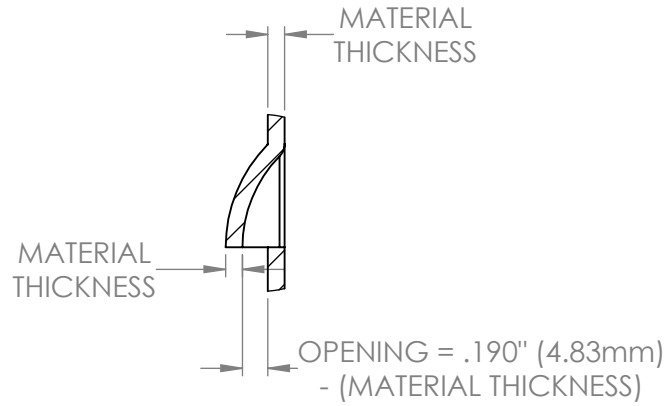


SECTION A-A



DETAIL A  
SCALE 2 : 1.728

