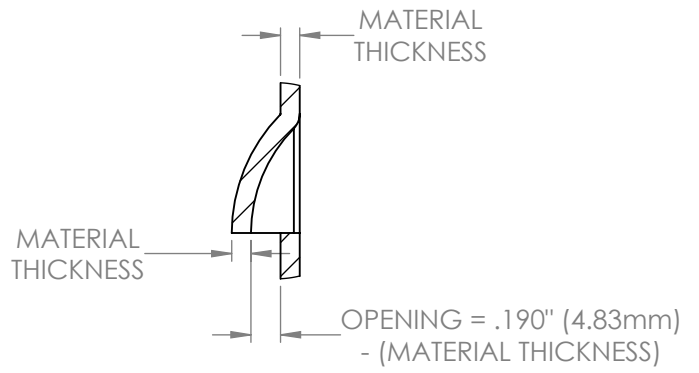


SECTION A-A  
SCALE 1 : 1.5



DETAIL A  
SCALE 2 : 1.5

