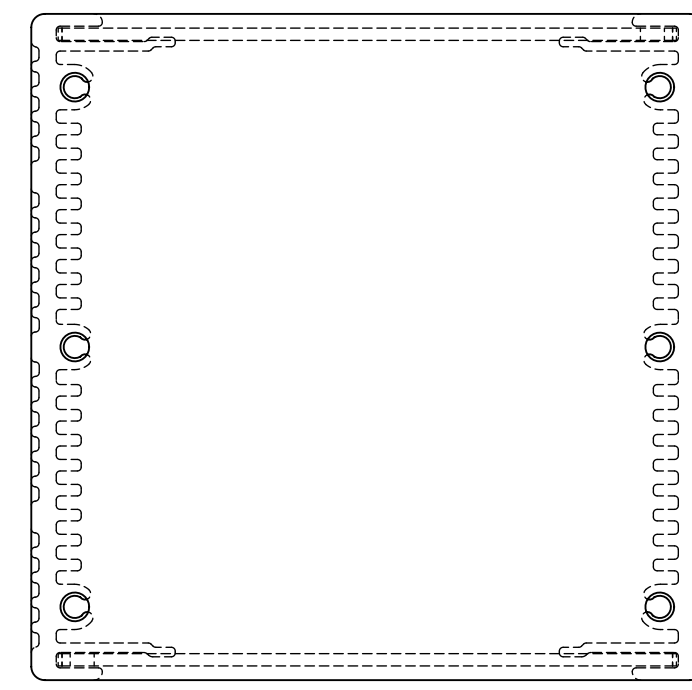


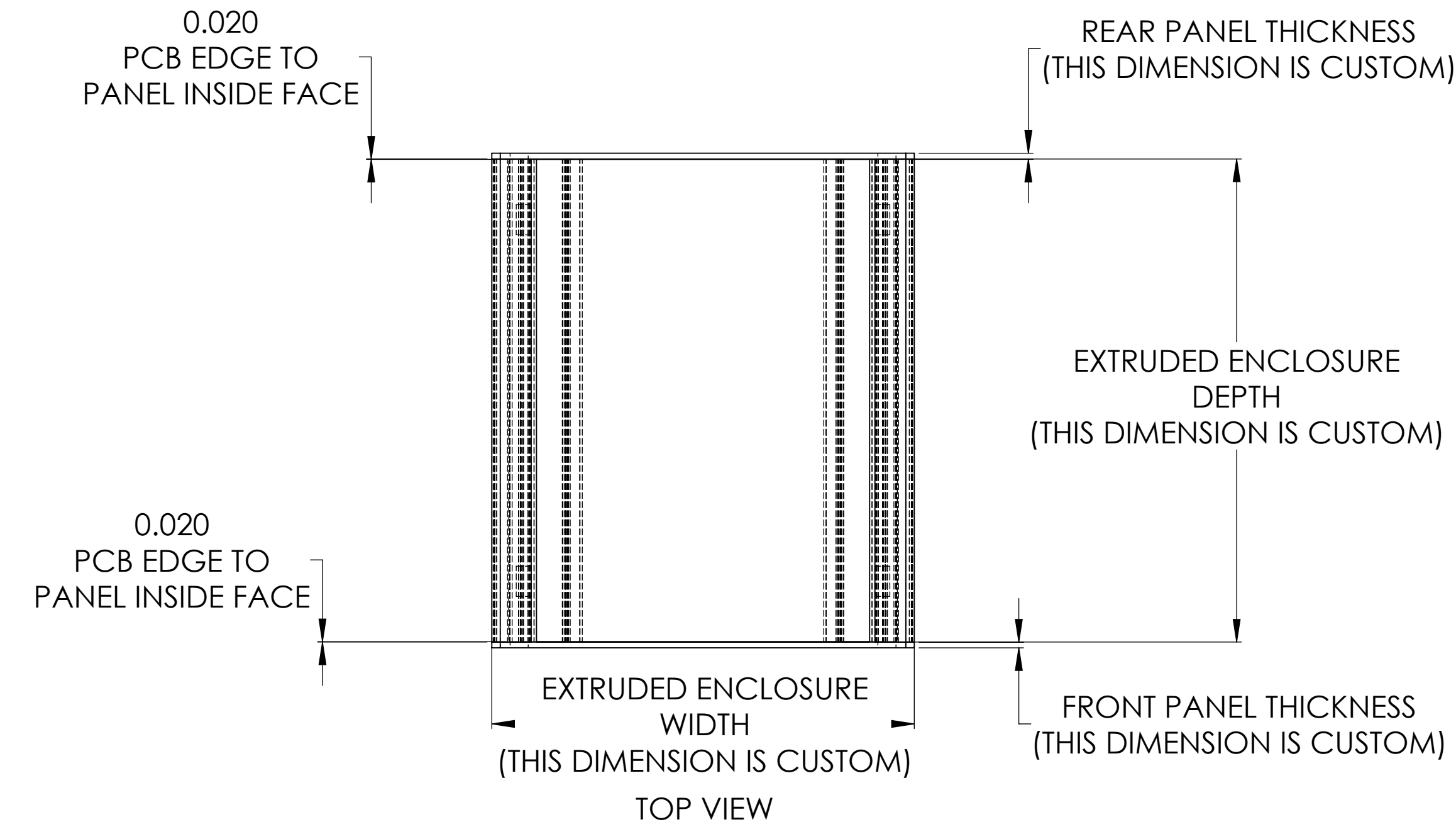
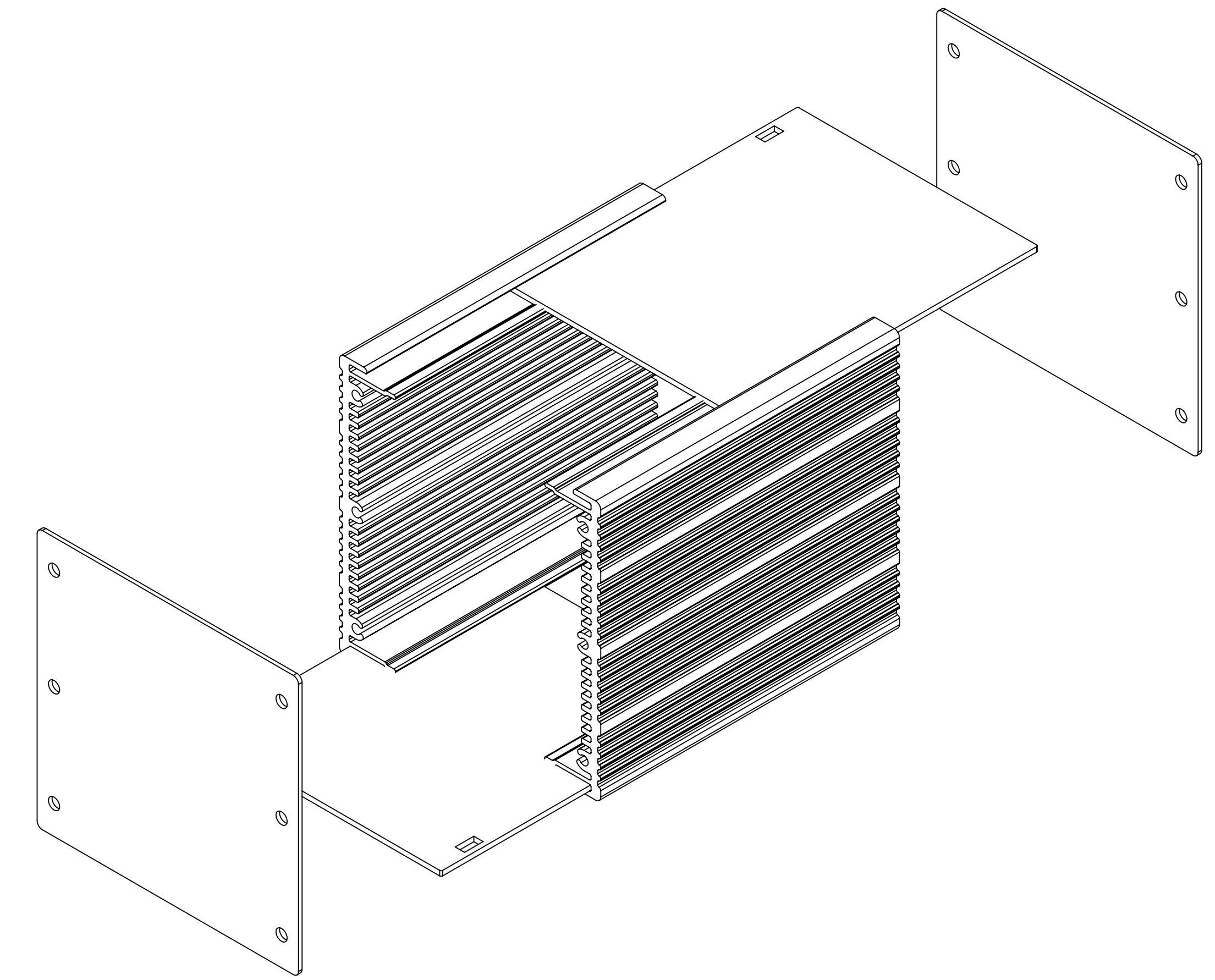
2U EXTRUDED ENCLOSURE

FRONT PANEL THICKNESS - VARIABLE
 REAR PANEL THICKNESS - VARIABLE
 BOTTOM PANEL THICKNESS - 0.064" ALUMINUM
 TOP PANEL THICKNESS - 0.064" ALUMINUM

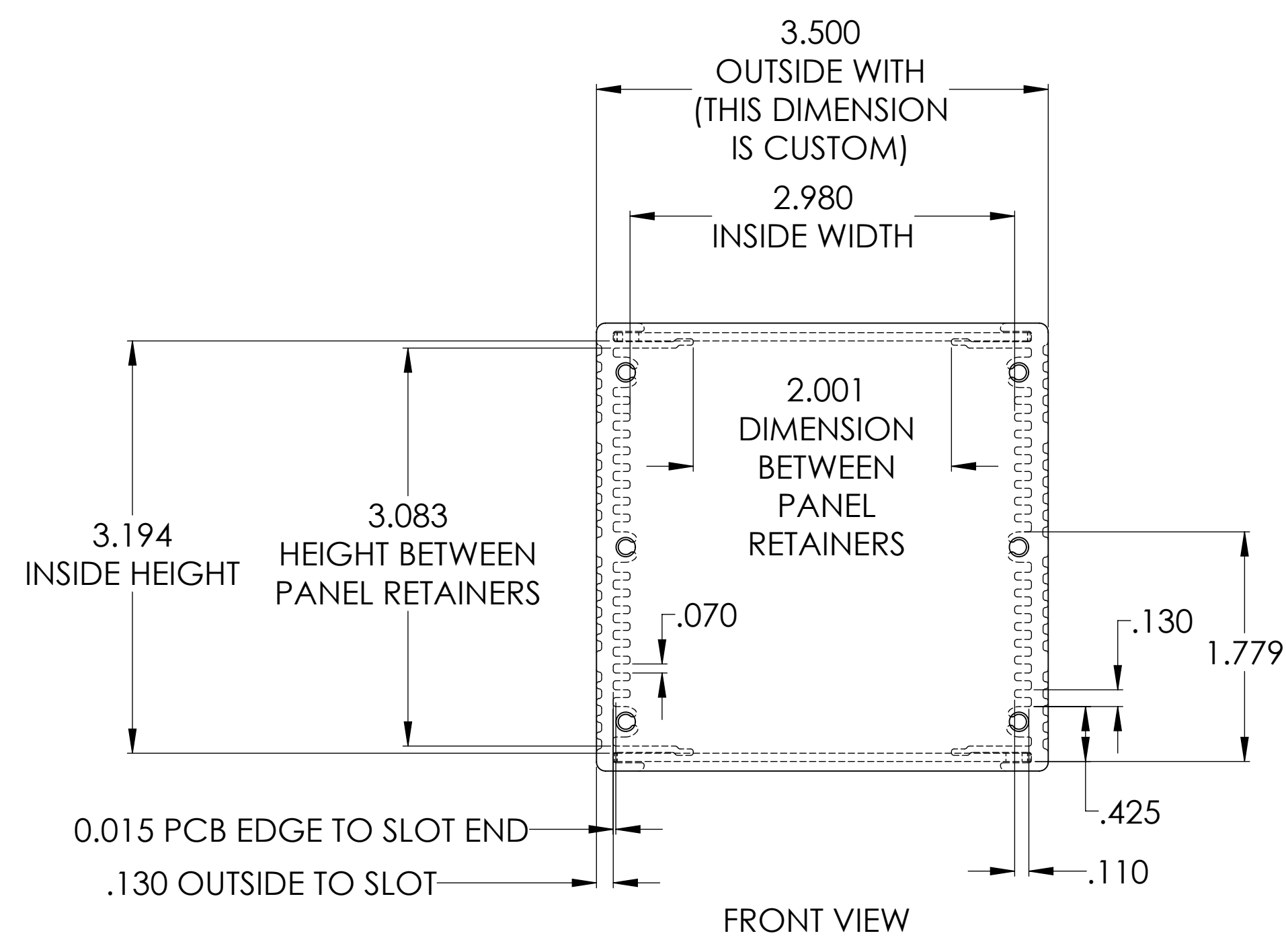
ENCLOSURE WIDTH = PCB WIDTH + 0.290"
 ENCLOSURE DEPTH = PCB LENGTH + 0.040"



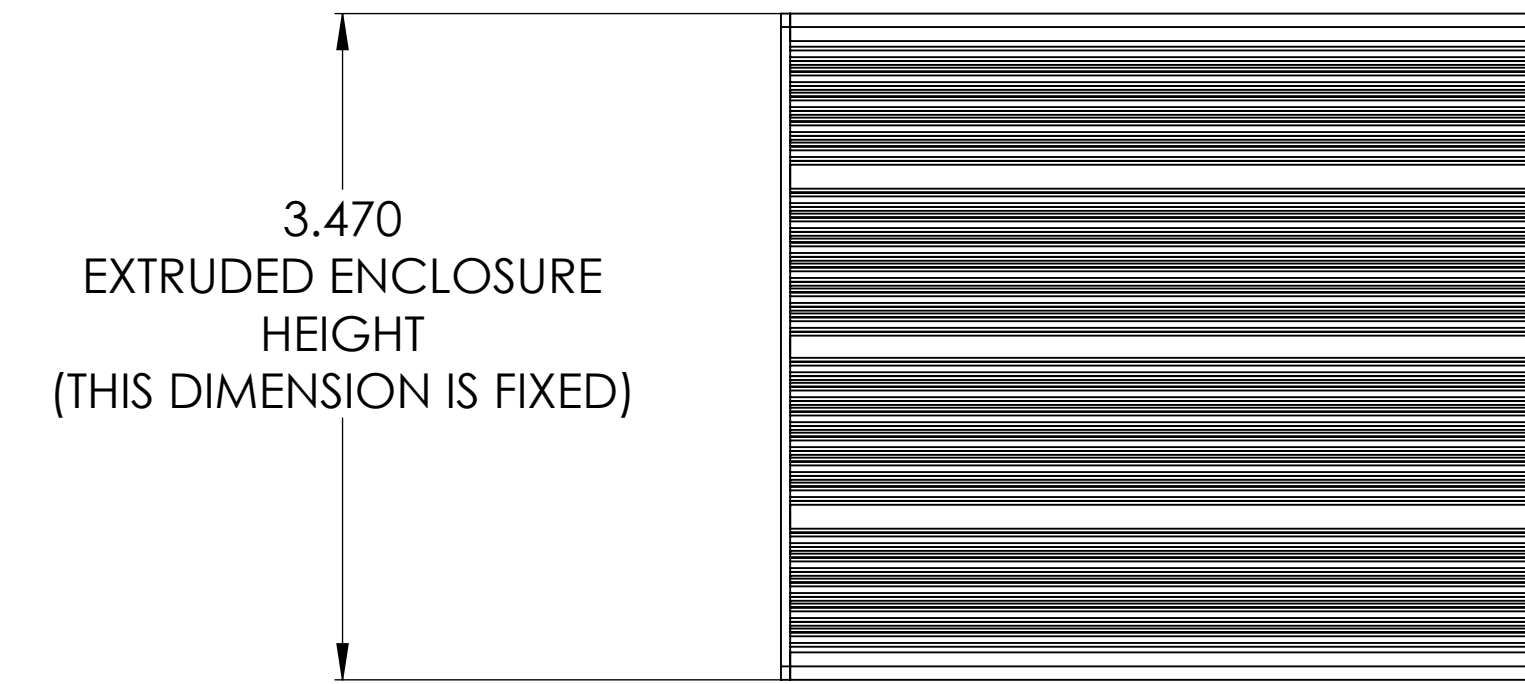
REAR VIEW
 PROJECTED VIEW - SHOWN UPSIDE DOWN



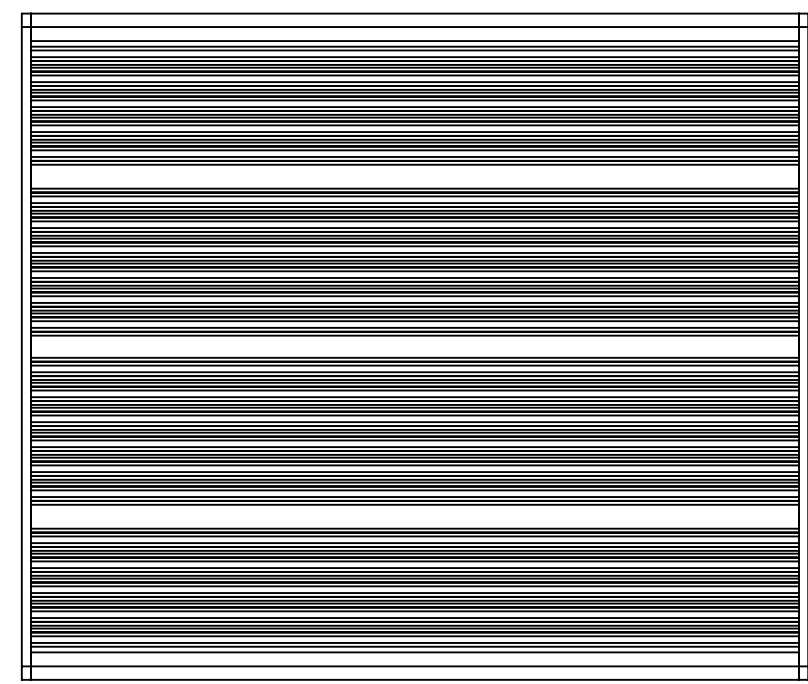
TOP VIEW



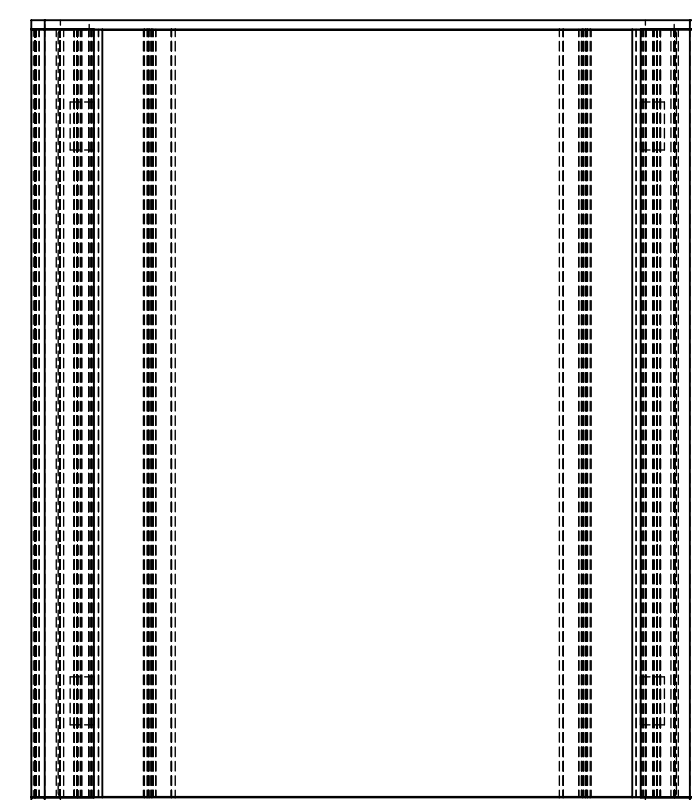
FRONT VIEW



RIGHT VIEW

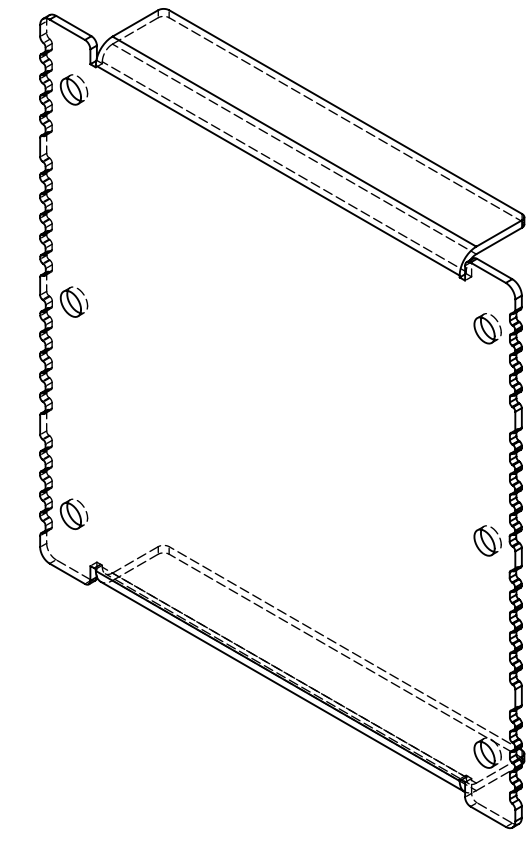
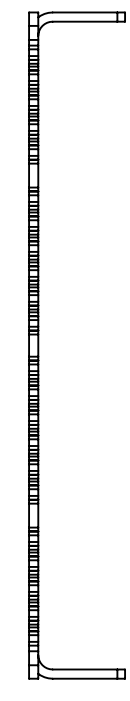
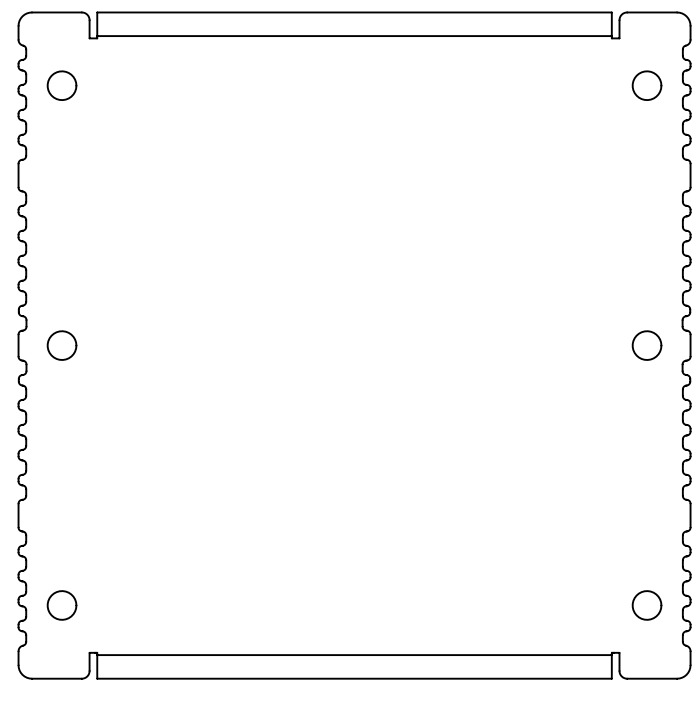


LEFT VIEW

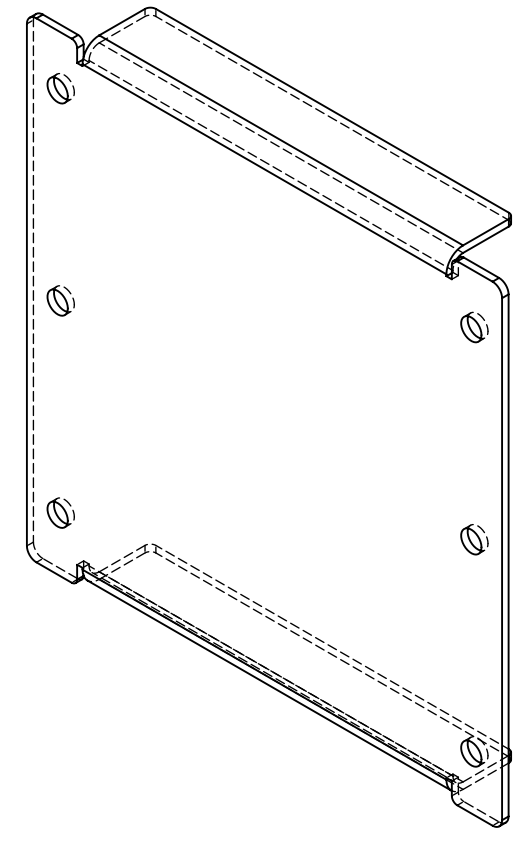
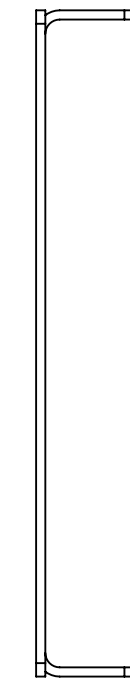
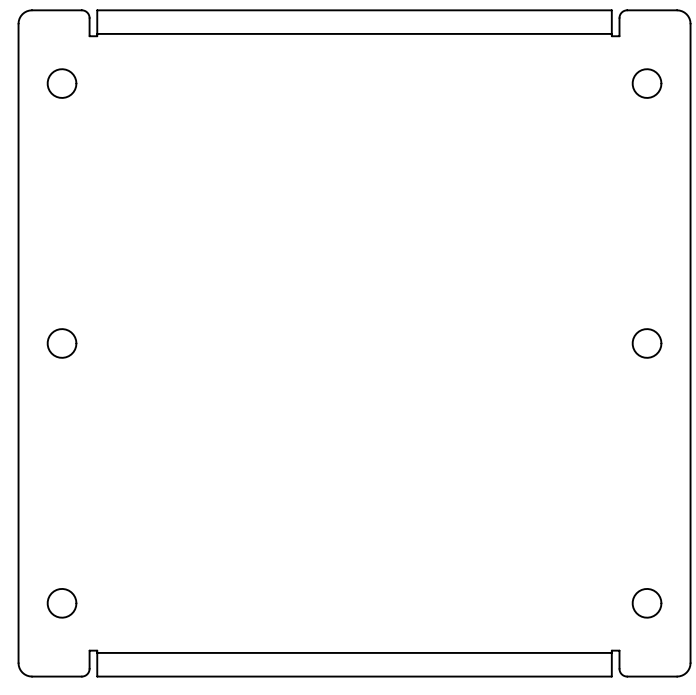


BOTTOM VIEW

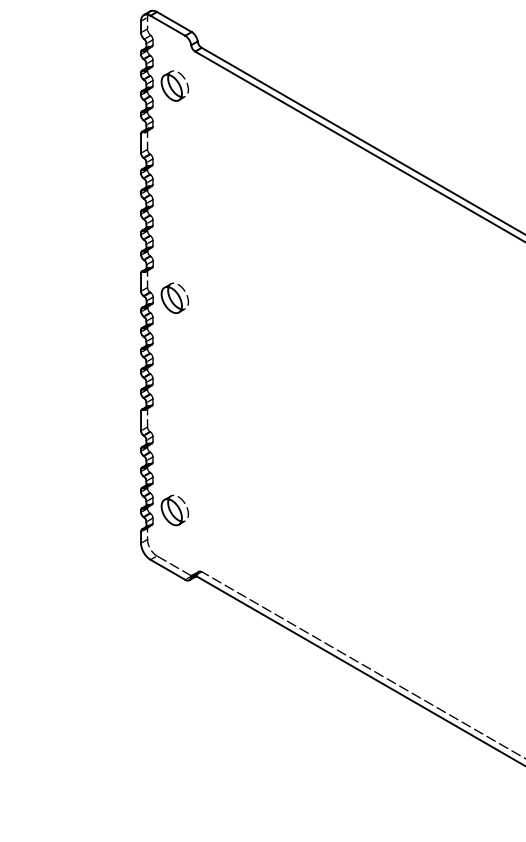
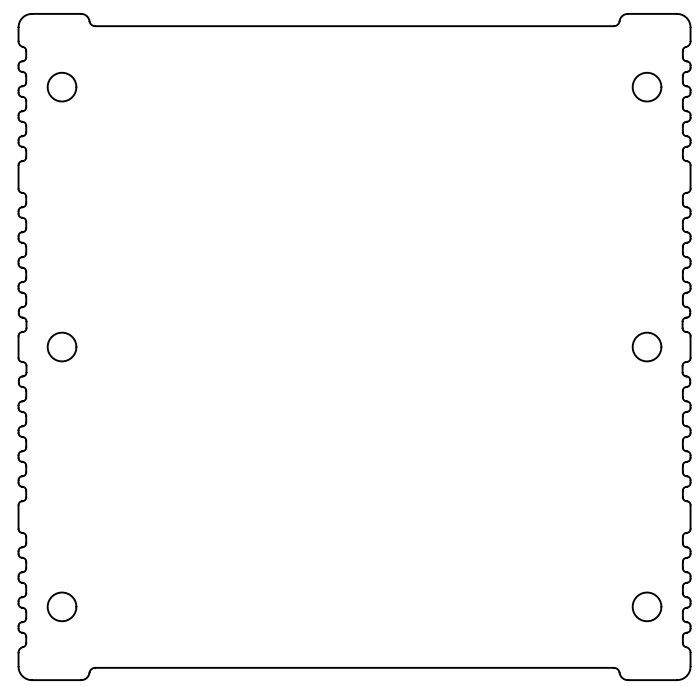
PROFILED WITH BENDS (A)



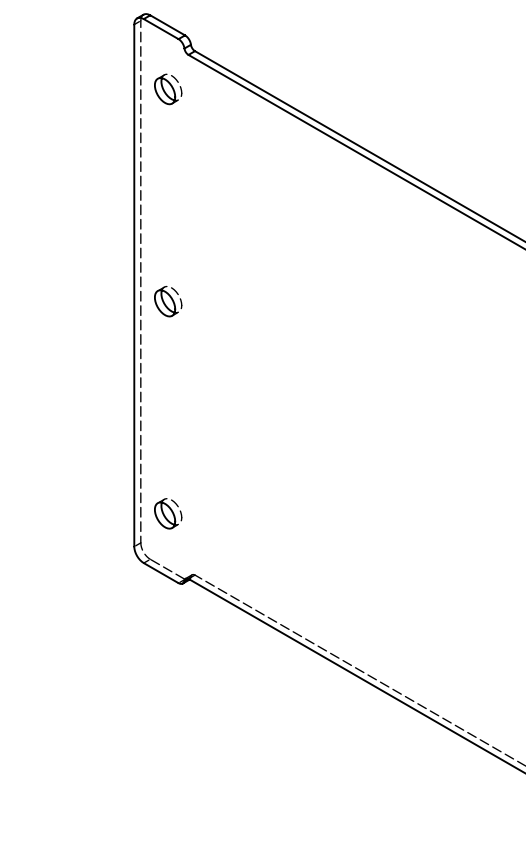
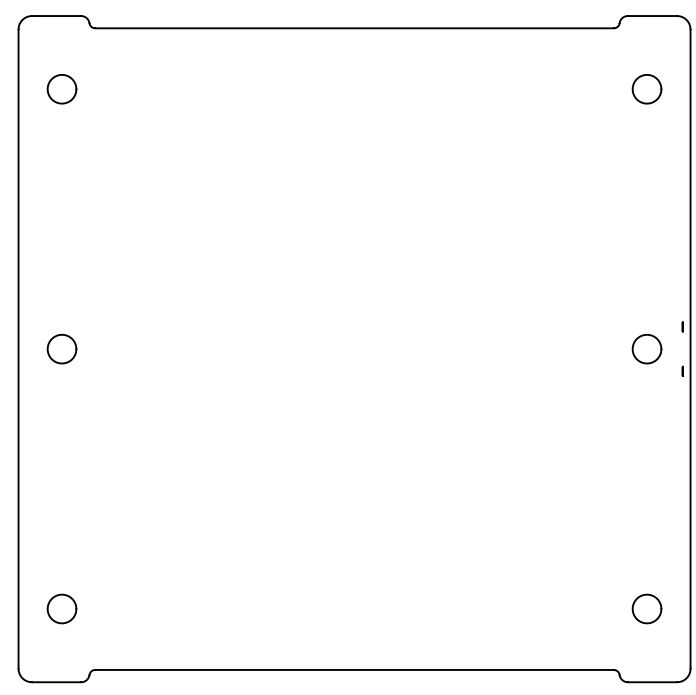
DEFAULT WITH BENDS (B)



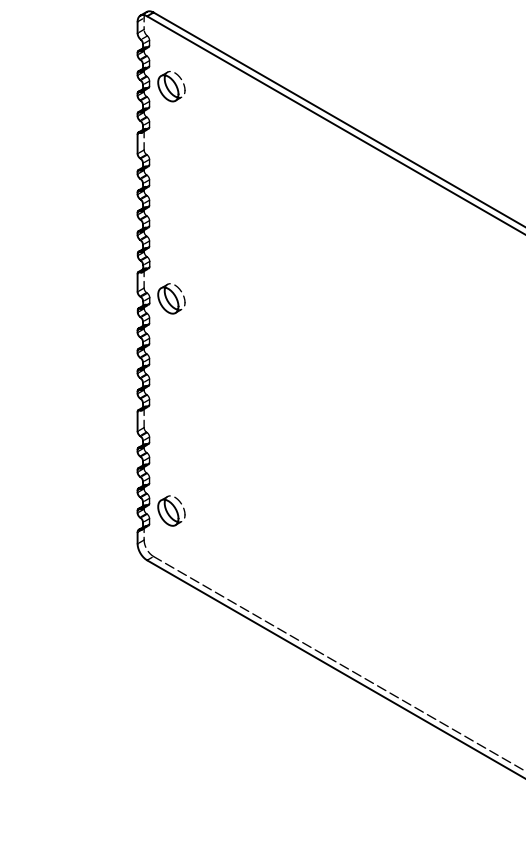
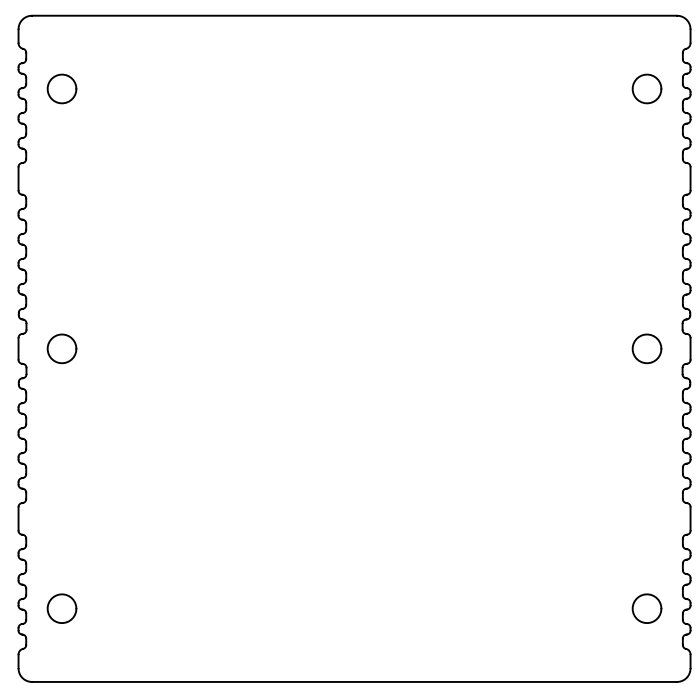
PROFILED (C)



TOP AND BOTTOM PROFILED (D)



SIDES PROFILED (E)



DEFAULT (F)

