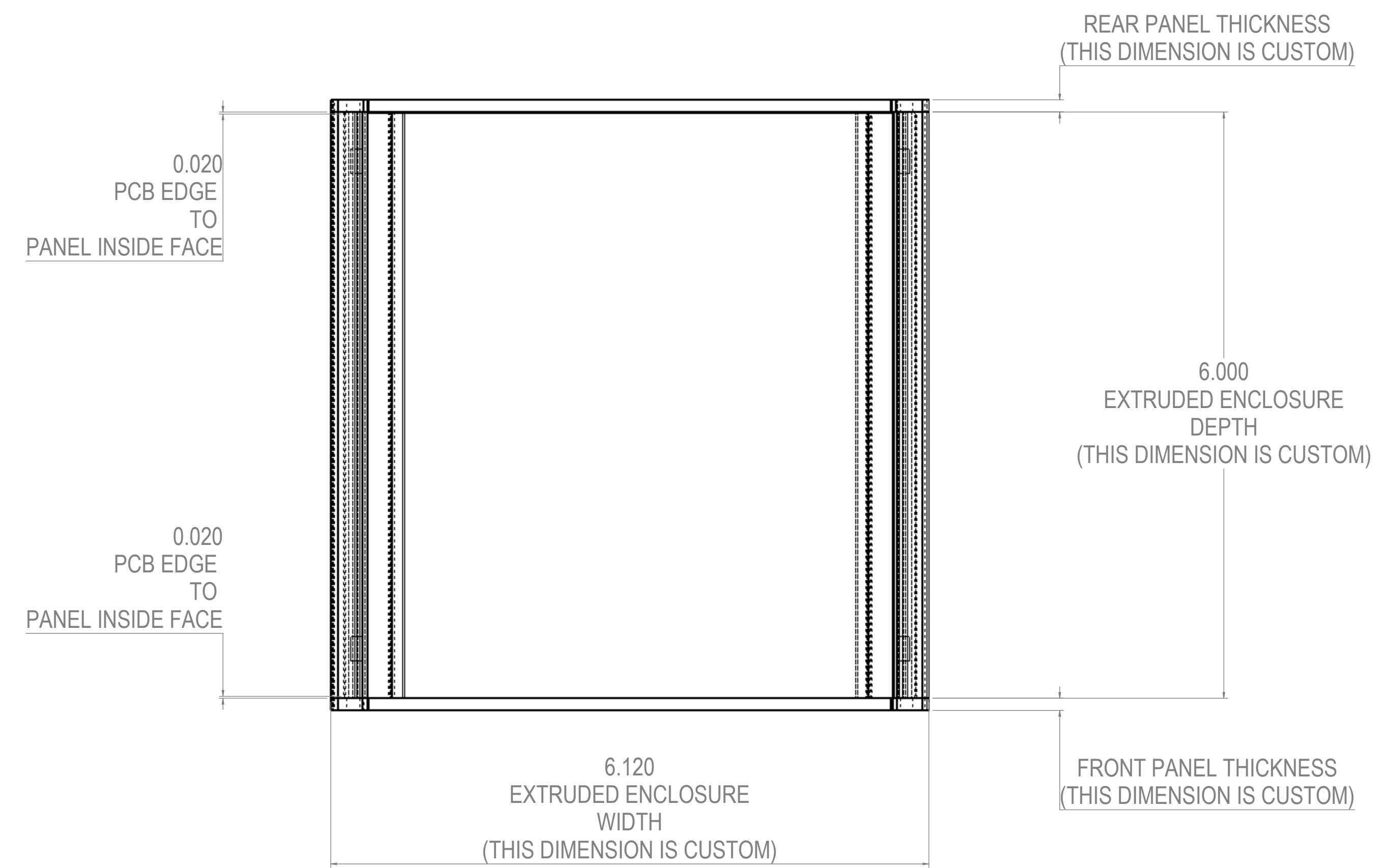
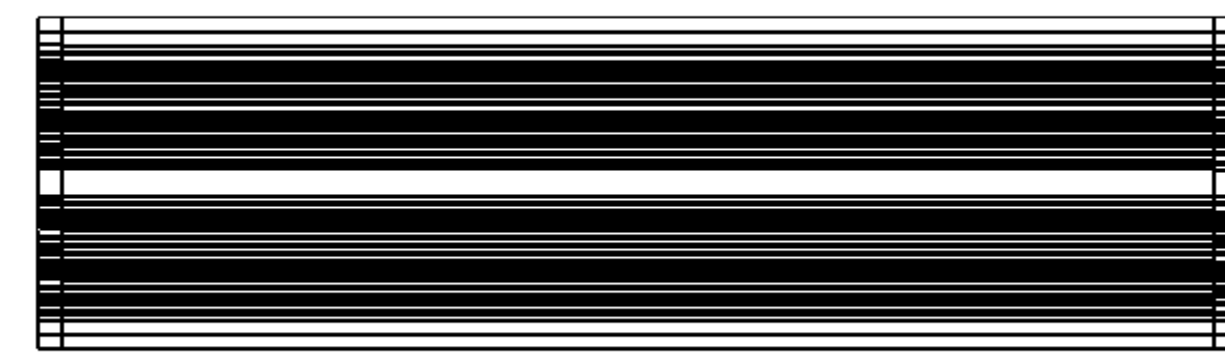
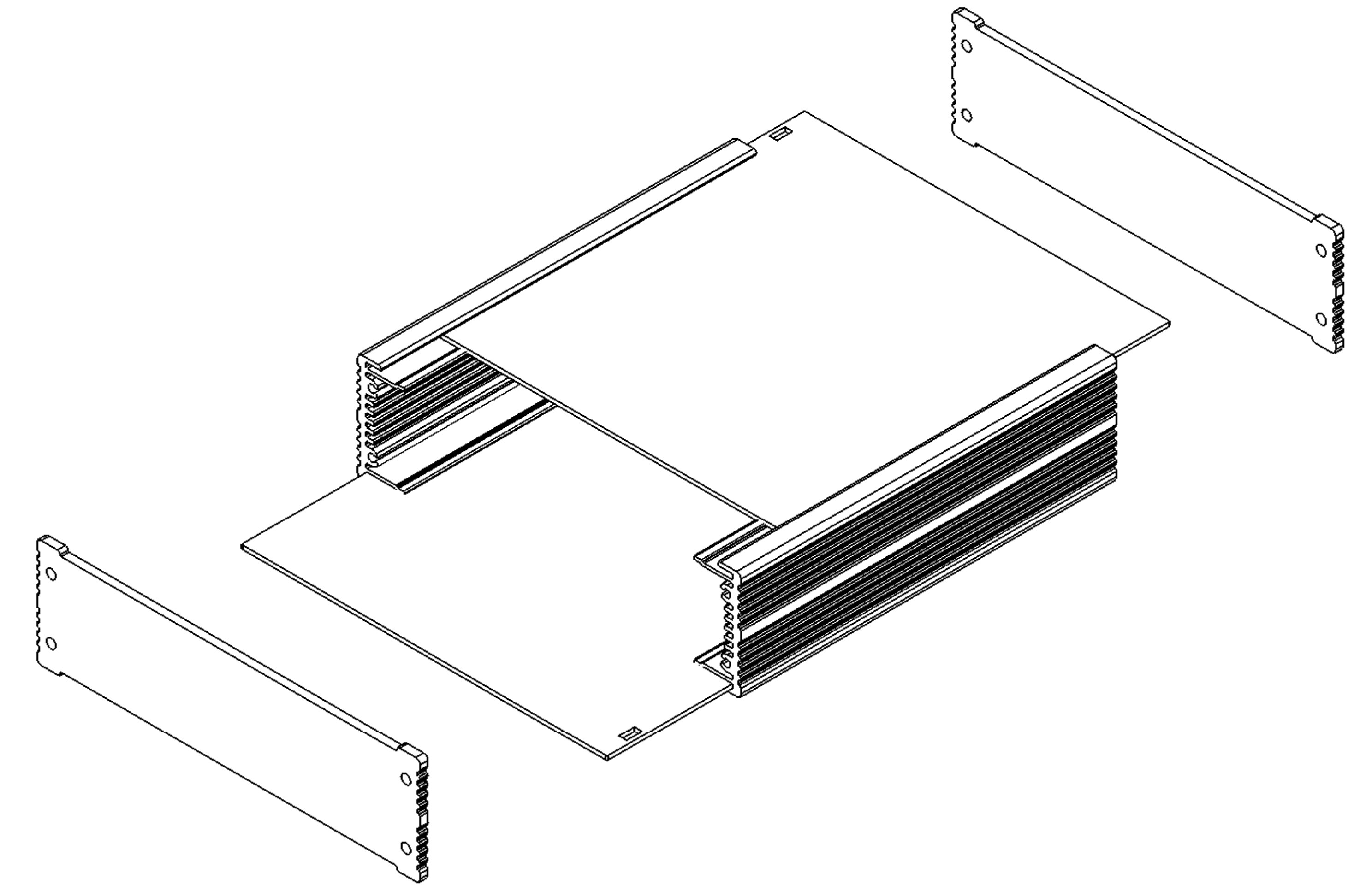


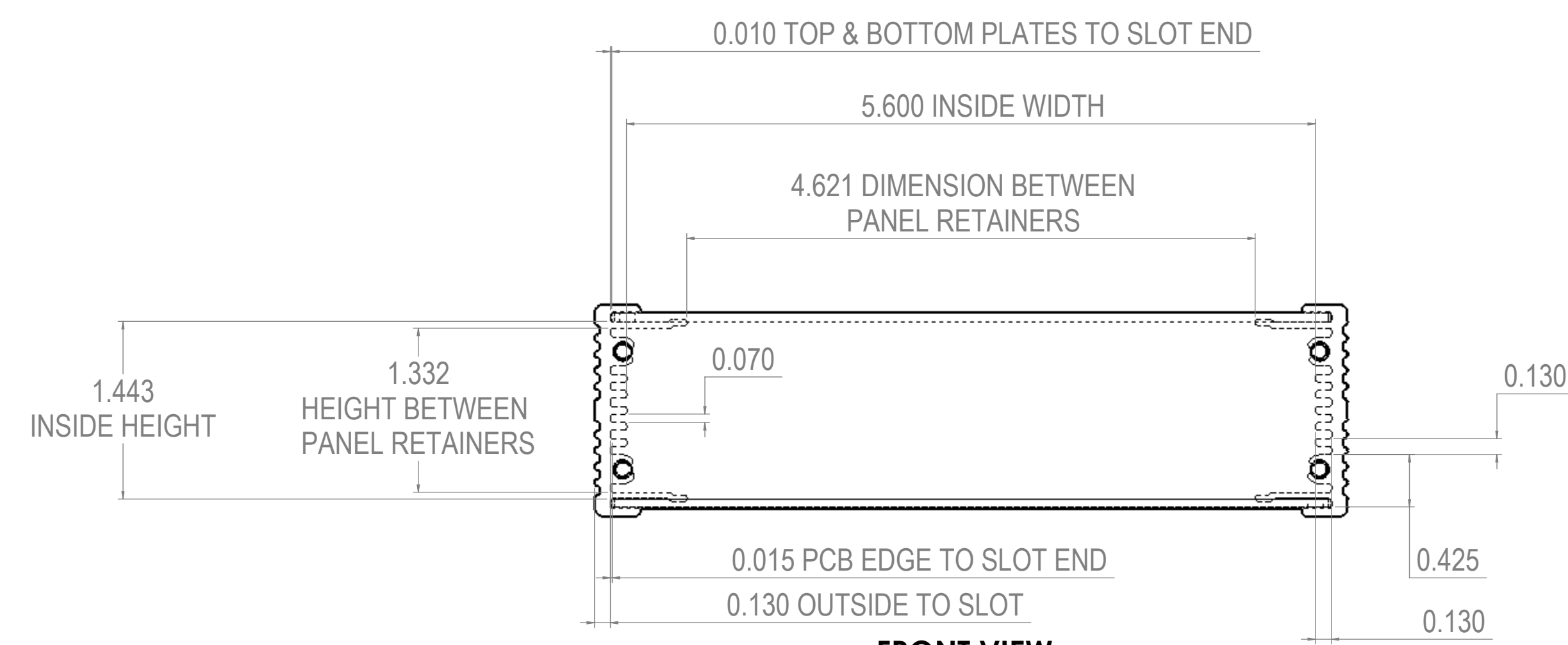
**REAR VIEW
(PROJECTED VIEW - UPSIDE DOWN)**



TOP VIEW



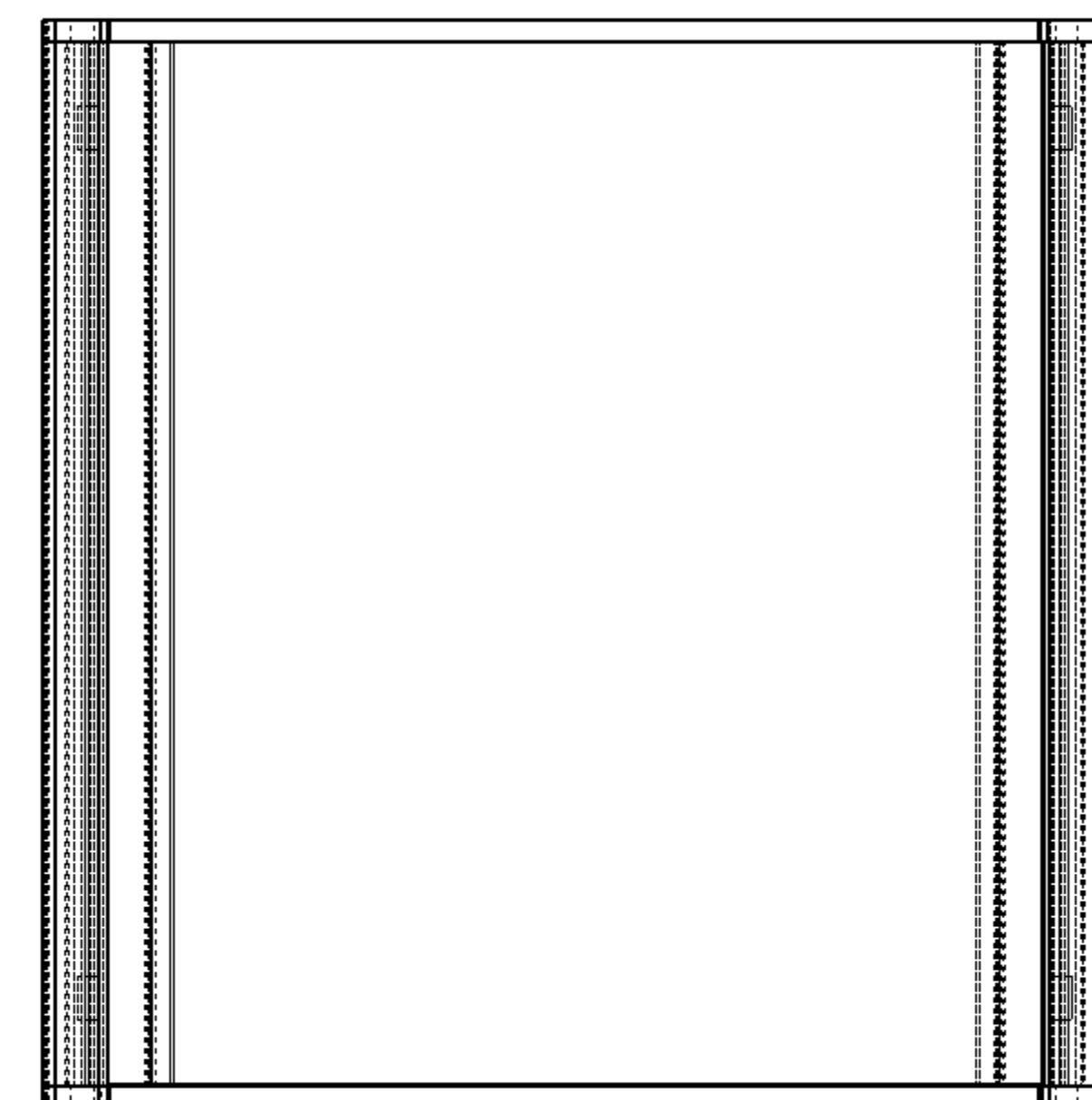
LEFT VIEW



FRONT VIEW



RIGHT VIEW

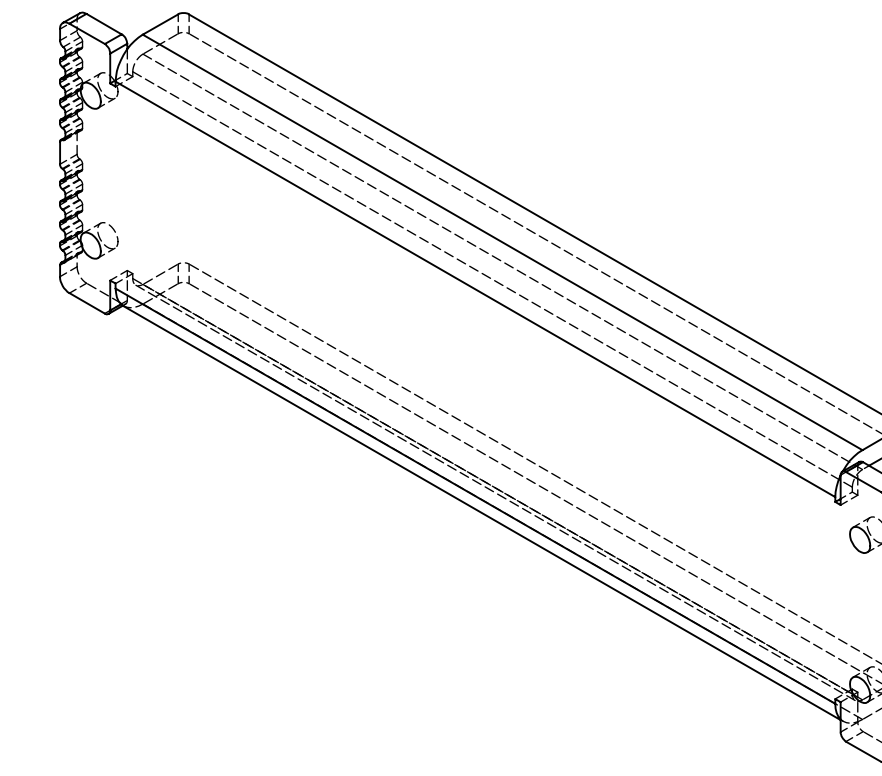
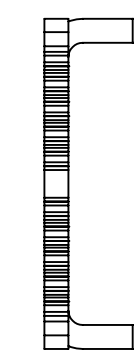
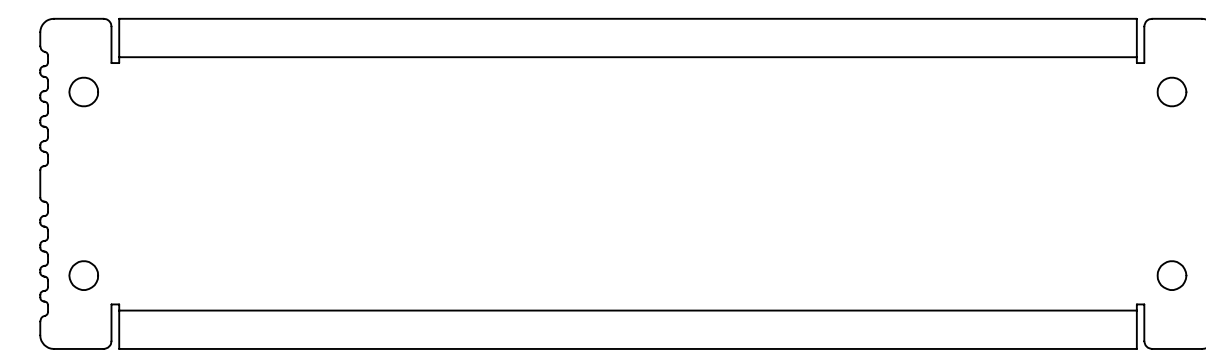


BOTTOM VIEW

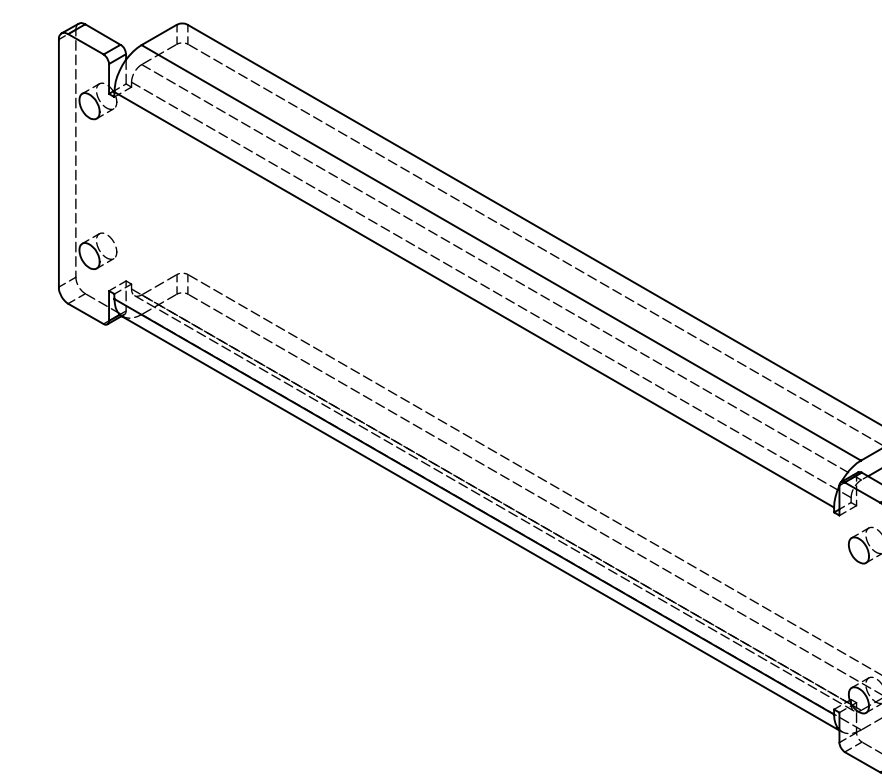
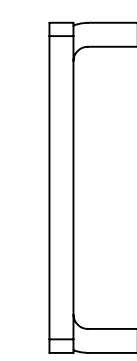
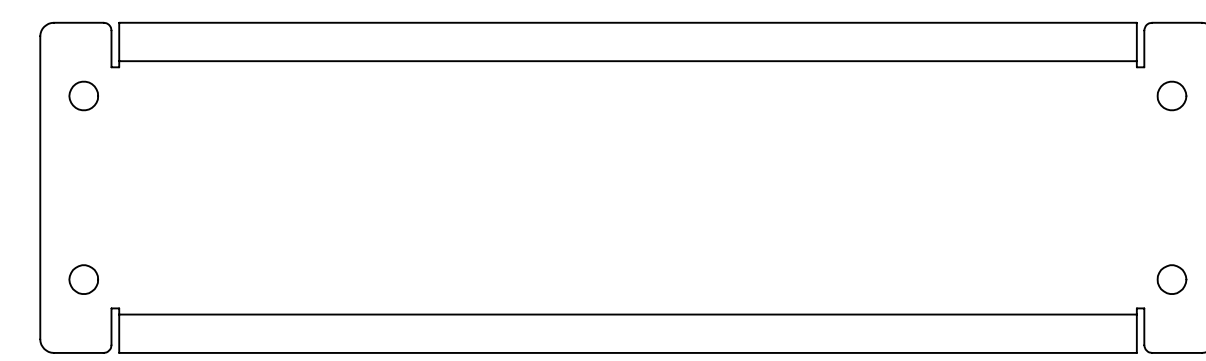
FRONT PANEL THICKNESS - VARIABLE
 REAR PANEL THICKNESS - VARIABLE
 BOTTOM PANEL THICKNESS - .064" THICK
 TOP PANEL THICKNESS - .064" THICK

ENCLOSURE WIDTH = PCB WIDTH + .290"
 ENCLOSURE DEPTH = PCB LENGTH + .040"

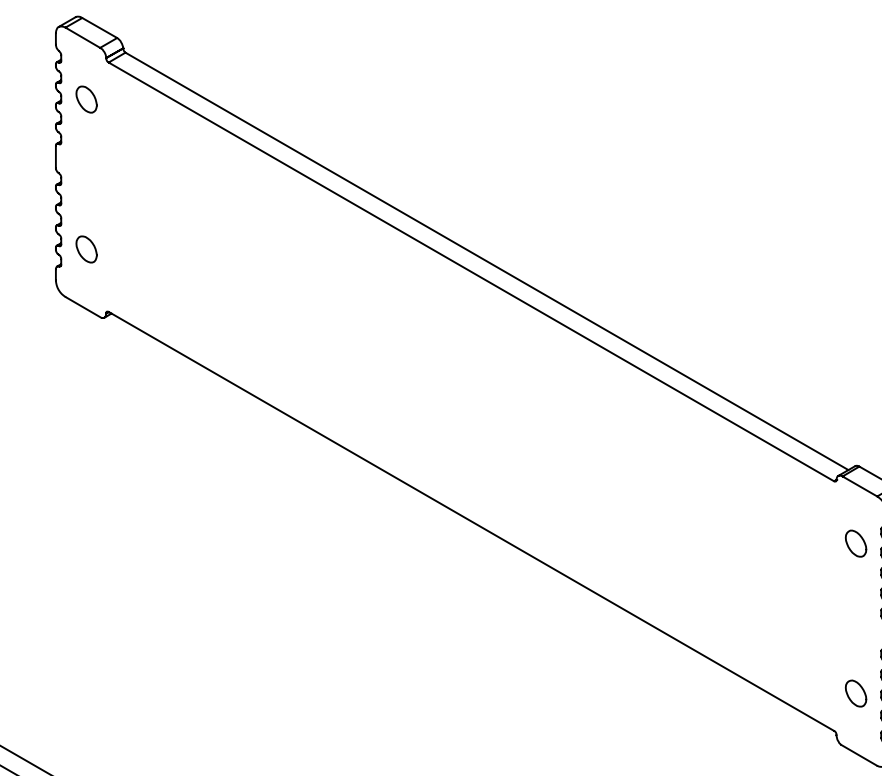
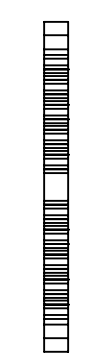
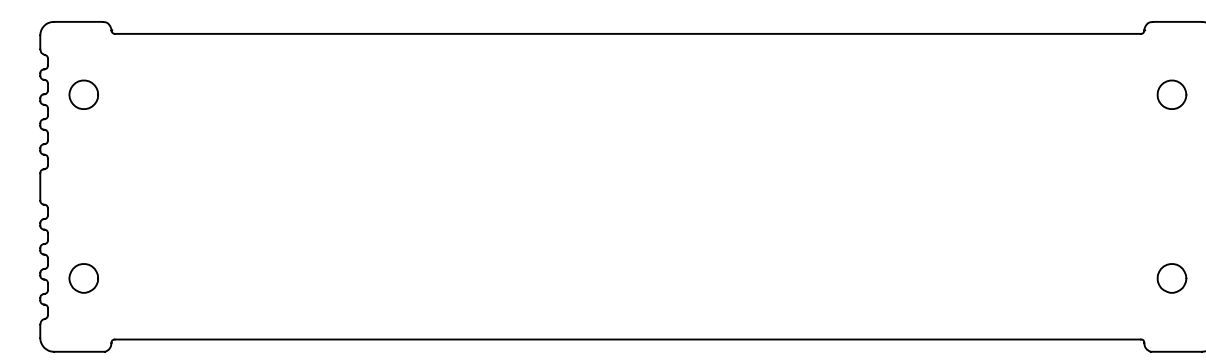
PROFILED WITH BENDS (A)



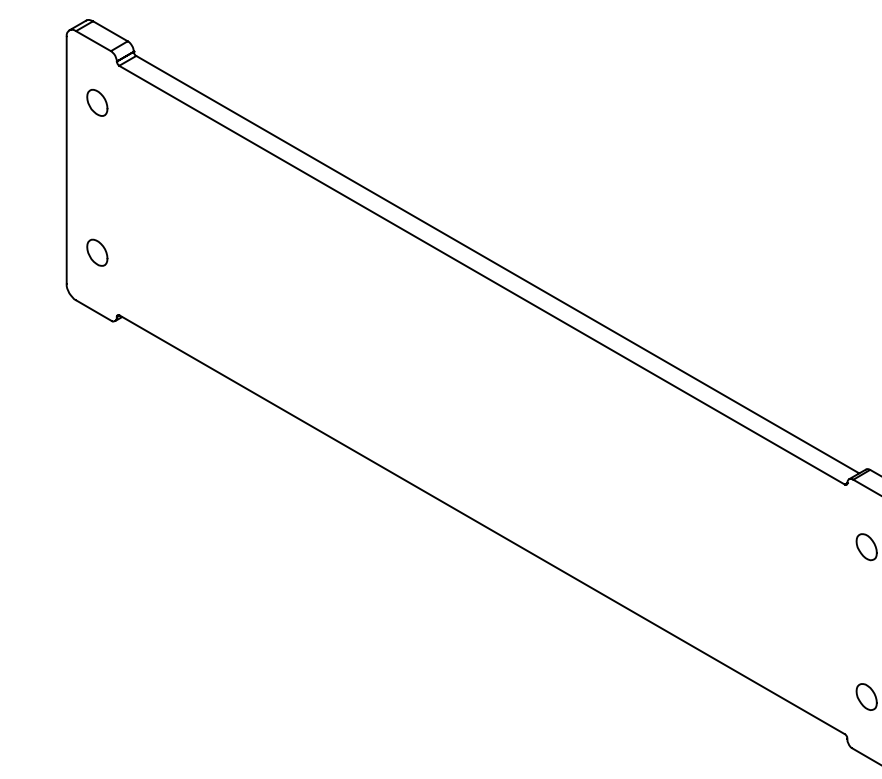
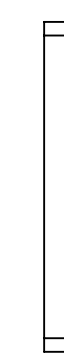
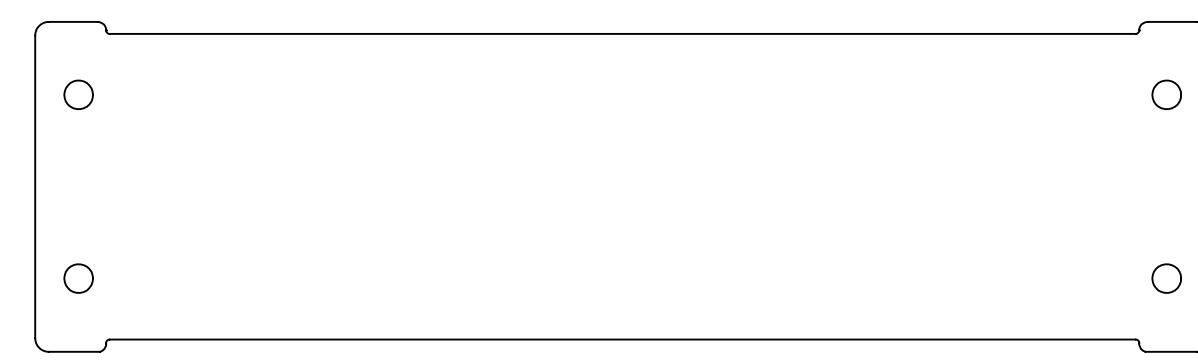
DEFAULT WITH BENDS (B)



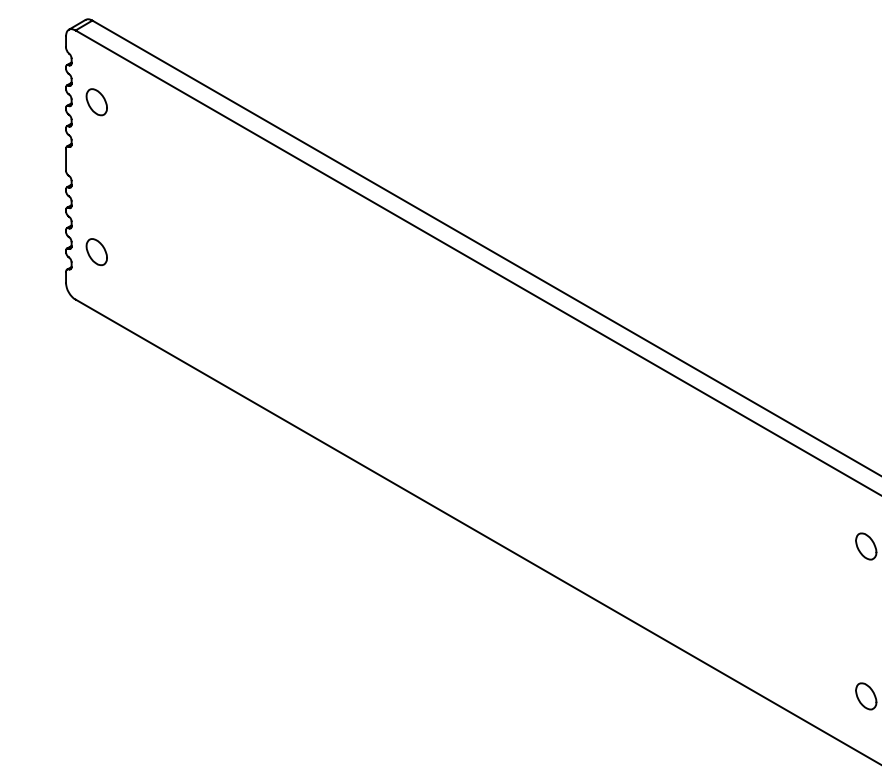
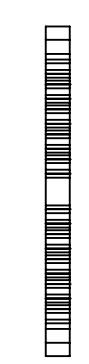
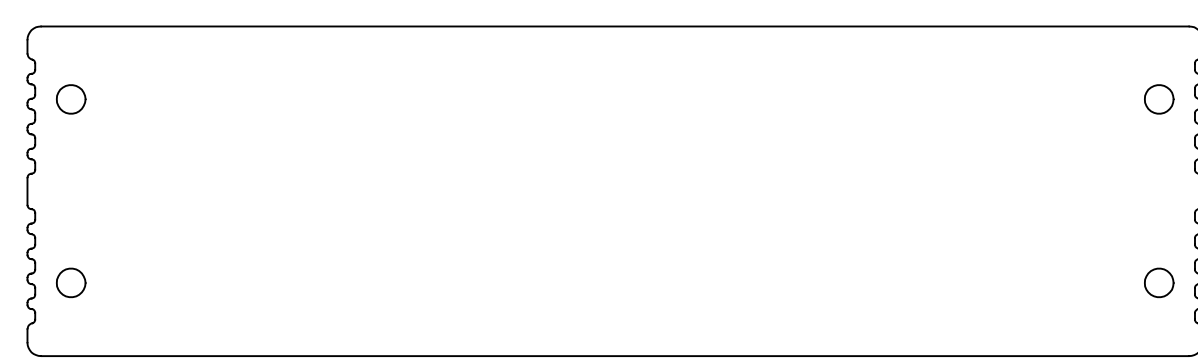
PROFILED (C)



TOP and BOT PROFILED (D)



SIDES PROFILED (E)



DEFAULT (F)

